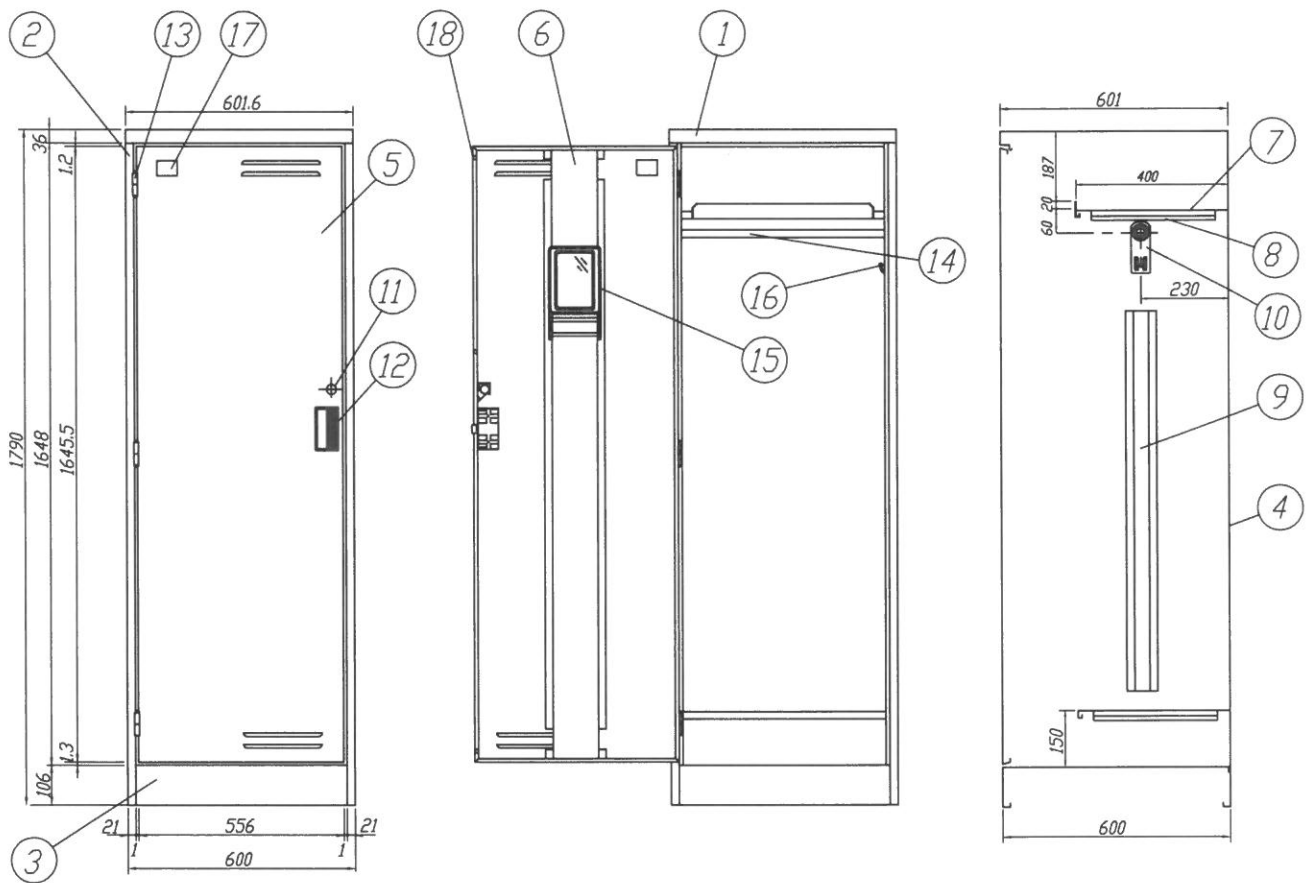
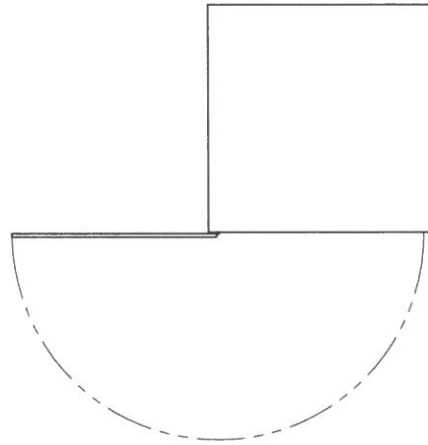


WARD ROBE

LEFT HINGE

WREN_W600D600L

TITLE.



⑨	SIDE PANEL REINFORCEMENT		⑮	RUBBER CUSHION	
⑧	SHELF HOLDER		⑯	NAME CARD	
⑦	SHELF (WITH STOPPER)		⑰	COAT HOOK	
⑥	DOOR REINFORCEMENT		⑱	MIRROR	
⑤	DOOR		⑲	HANGER PIPE	
④	BACK PANEL		⑳	HINGE	
③	BOTTOM PANEL		㉑	HIROYOSHI ORIGINAL HANDLE LATCH	
②	SIDE PANEL		㉒	CYLINDER LOCK	
①	TOP PANEL		㉓	COAT HOOK HOLDER & PIPE HOLDER	
MARK	NAME	MATERIAL	MARK	NAME	MATERIAL